



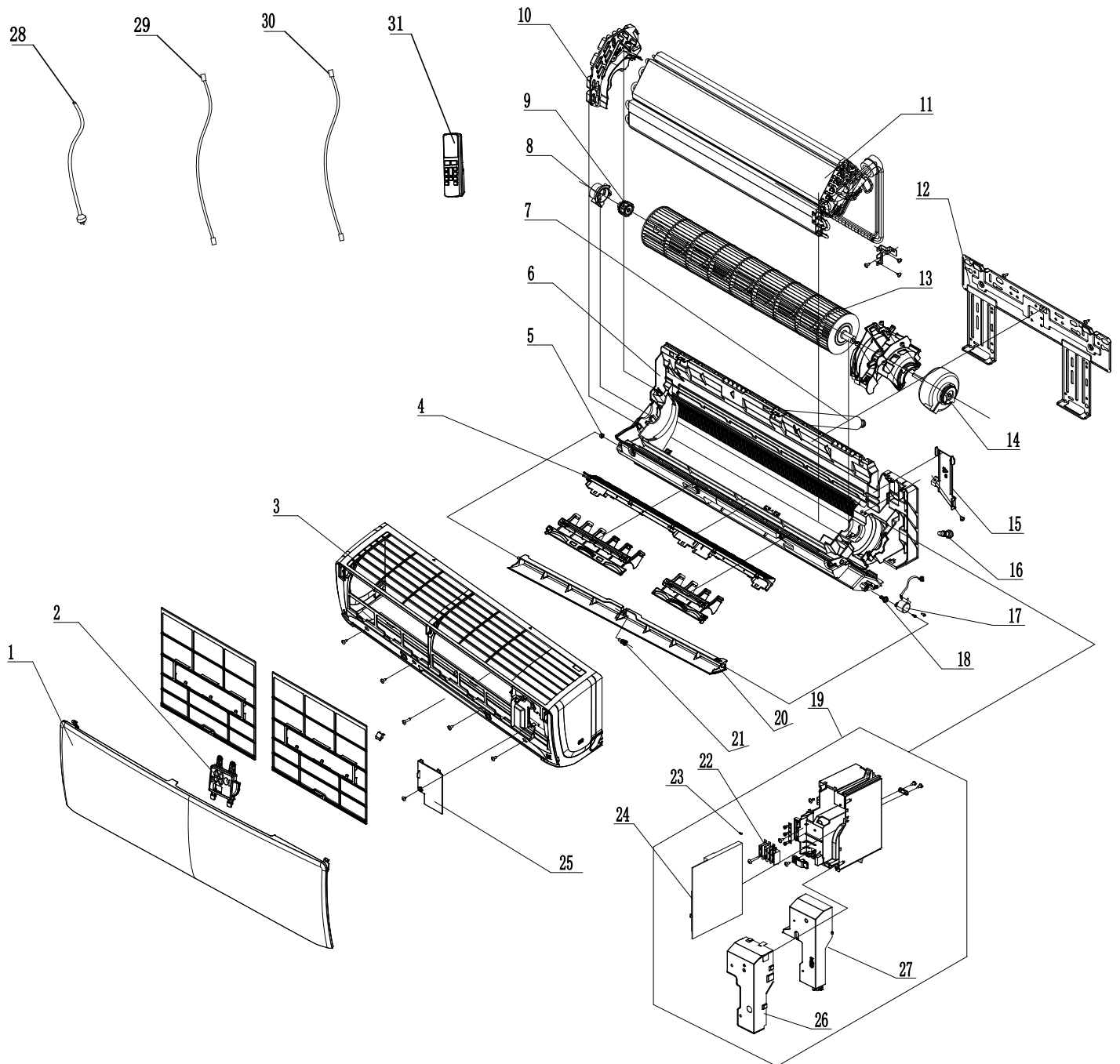
BORA X

SPARE PARTS LIST

August, 2024

GWH09AACXB-K6DNA1BI

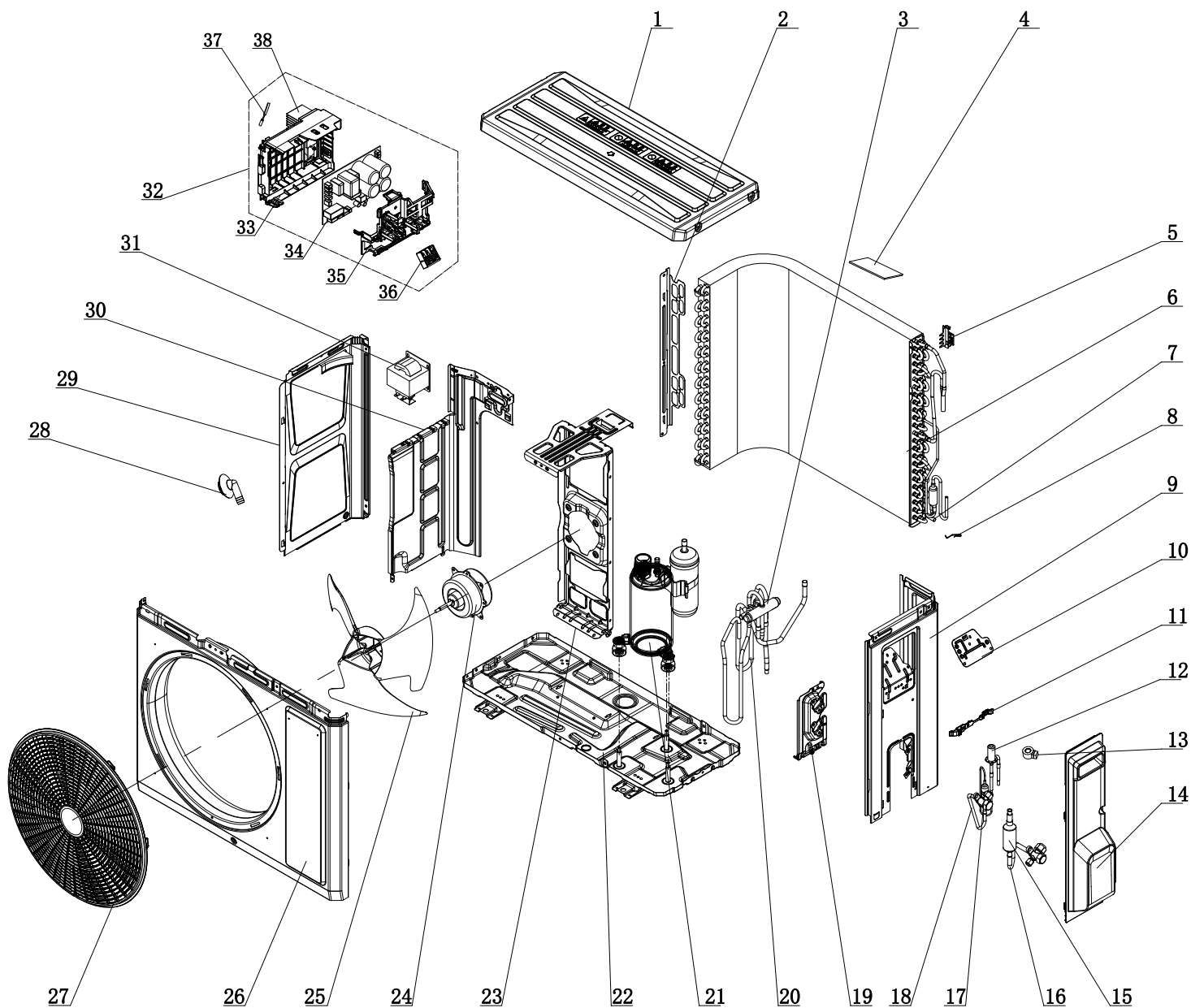
Exploded View



GWH09AACXB-K6DNA1BI

Spare Parts List

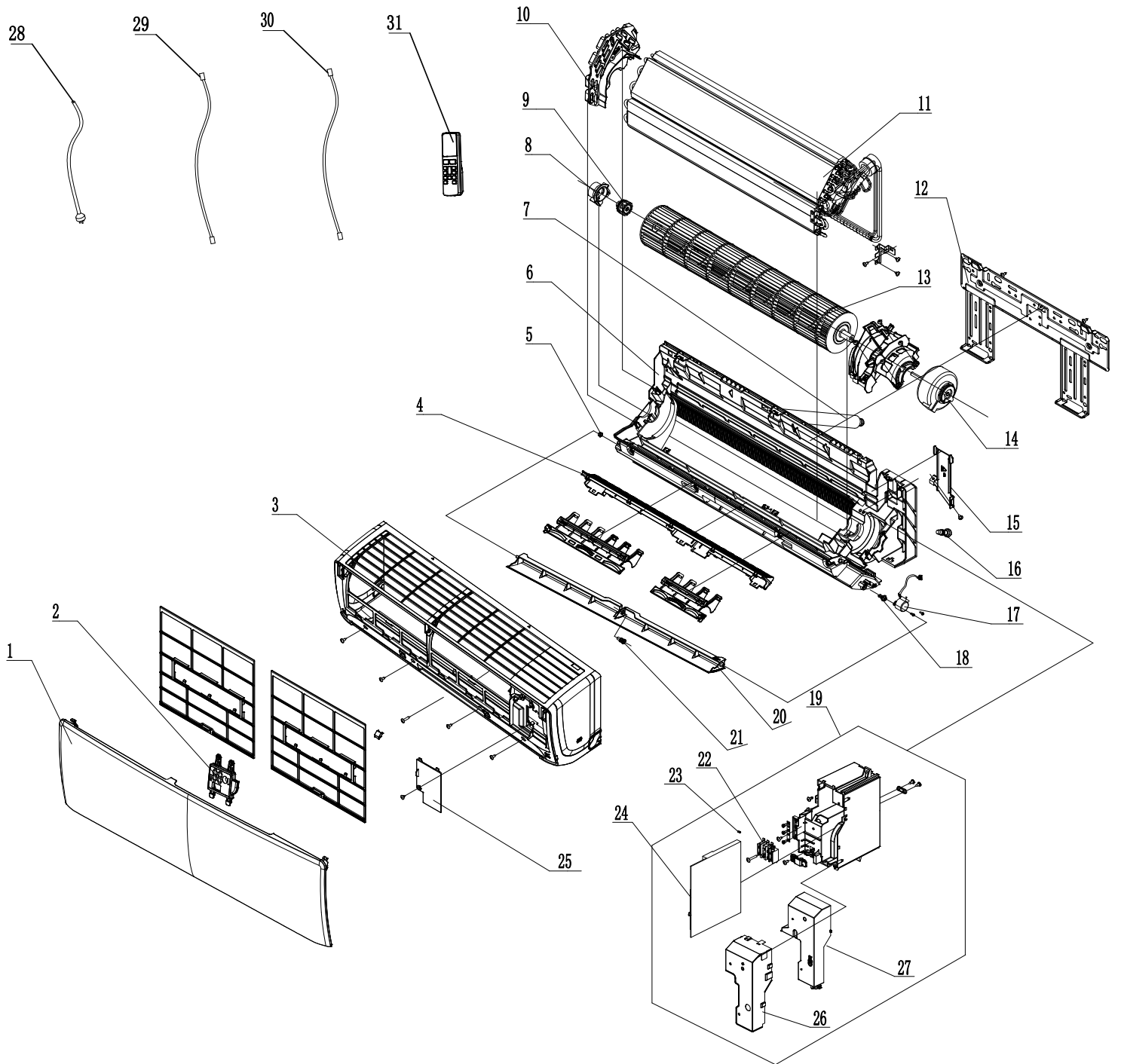
No.	Part Description	Part Code
1	Front Panel	20000300003801T
2	Display Board	300001000037
3	Front Case	0000200000902
4	Helicoid Tongue	26112436
5	Left Axile Bush	10512037
6	Rear Case Assy	000001000010
7	Drainage Hose	05230014
8	Ring of Bearing	26152022
9	O-Gasket sub-assy of Bearing	76512051
10	Evaporator support	24212179
11	Evaporator Assy	01100106039901P
12	Wall-mounted frame (horizontal)	01252020
13	Cross Flow Fan	10352056
14	Brushless DC Motor	15010406002902
15	Connecting pipe clamp	2611216401
16	Rubber Plug (Water Tray)	76712012
17	Stepping Motor	1521210712
18	Crank	73012005
19	Electric Box Assy	10002074127
20	Guide Louver	20000400000501
21	Axile Bush	10542036
22	Terminal Board	422000000022
23	Jumper	4202021905
24	Main Board	300002062676
25	Electric Box Cover2	200082060012
26	Shield Cover of Electric Box Cover	none
27	Electric Box Cover	200082060012
28	Power Cord	none
29	Connecting Cable	none
30	Connecting Cable	4002052318
31	Remote Controller	305001060060



GWH09AAACXB-K6DNA1BO

Spare Parts List

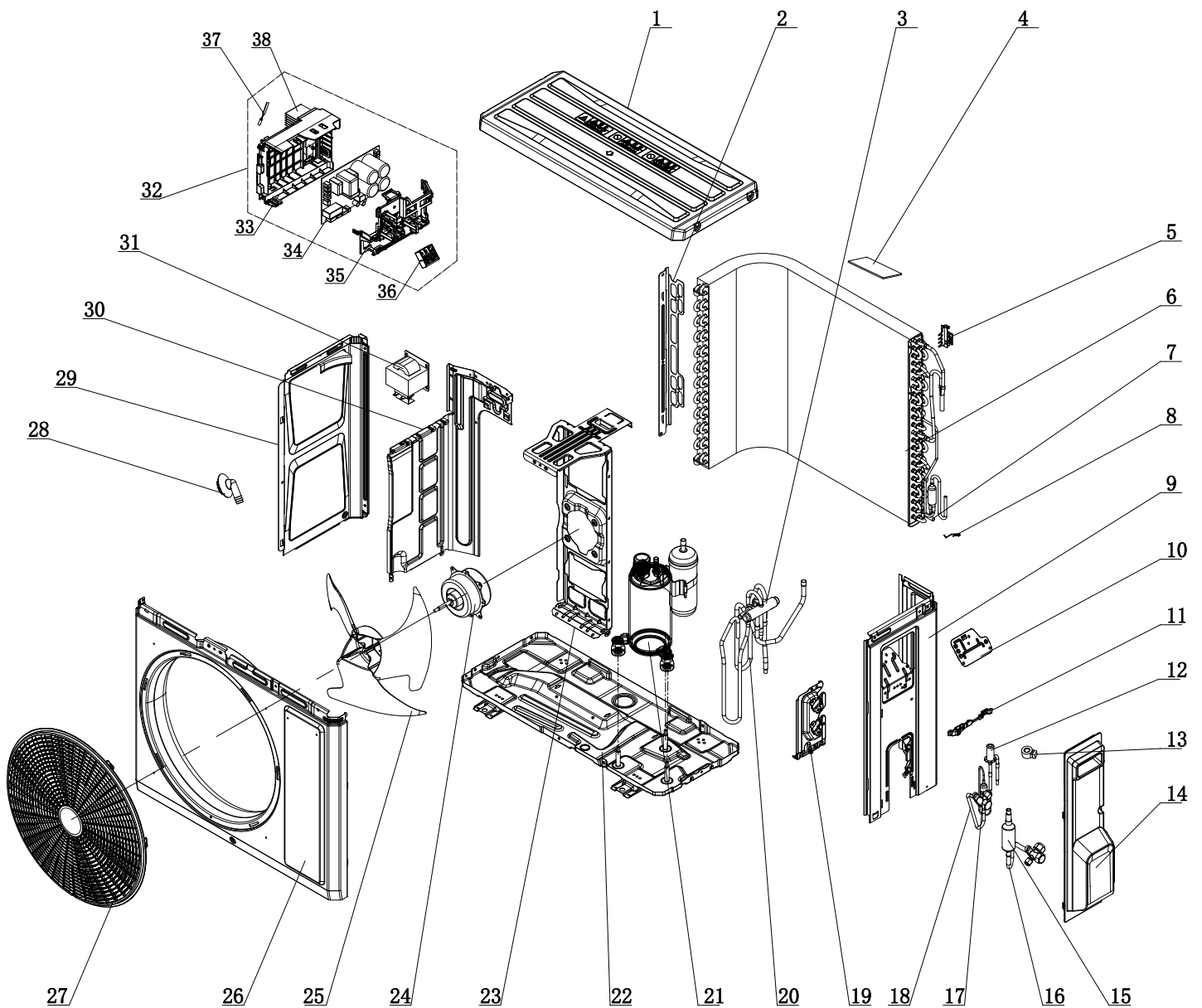
No.	Part Description	Part Code
1	Coping	012049060124P
2	Supporting Board (Condenser)	none
3	4-Way Valve	072007060004
4	Sponge (Condenser)	1212309101
5	Temperature Sensor Support	none
6	Condenser Assy	011002061547
7	Temp Sensor Sleeving	05212423
8	Sensor Insert	42020063
9	Right Side Plate	01205606038406P
10	Earthing Plate Sub-assy	017246000004
11	Wire Clamp	200015060018
12	Electronic Expansion Valve	none
13	Electric Expand Valve Fitting	none
14	Handle Assy	none
15	Silencer	035023000009
16	Cut-off valve 1/4(N)	070001060022
17	Strainer (fork shape)	072111031
18	Cut-off valve 3/8(N)	070001060029
19	Valve Support	012044060022P
20	4-Way Valve Assy	030152060657
21	Compressor and Fittings	009001060605
22	Chassis Sub-assy	017000060636P
23	Motor Support	012048060149
24	Brushless DC Motor	150104060095
25	Axial Flow Fan	10333428
26	Front Panel Assy	00000306052602
27	Front Grill	200057060013
28	Drainage Joint	26113009
29	Left Side Plate	012055060397P
30	Clapboard	012051060895
31	Reactor	none
32	Electric Box Assy	100002074109
33	Electric Box	200013060073
34	Main Board	300027062214
35	Electric Box Cover	200082060058
36	Terminal Board	422000060075
37	Temperature Sensor	3900030811
38	Radiator	420034060108



GWH12AACXB-K6DNA1AI

Spare Parts List

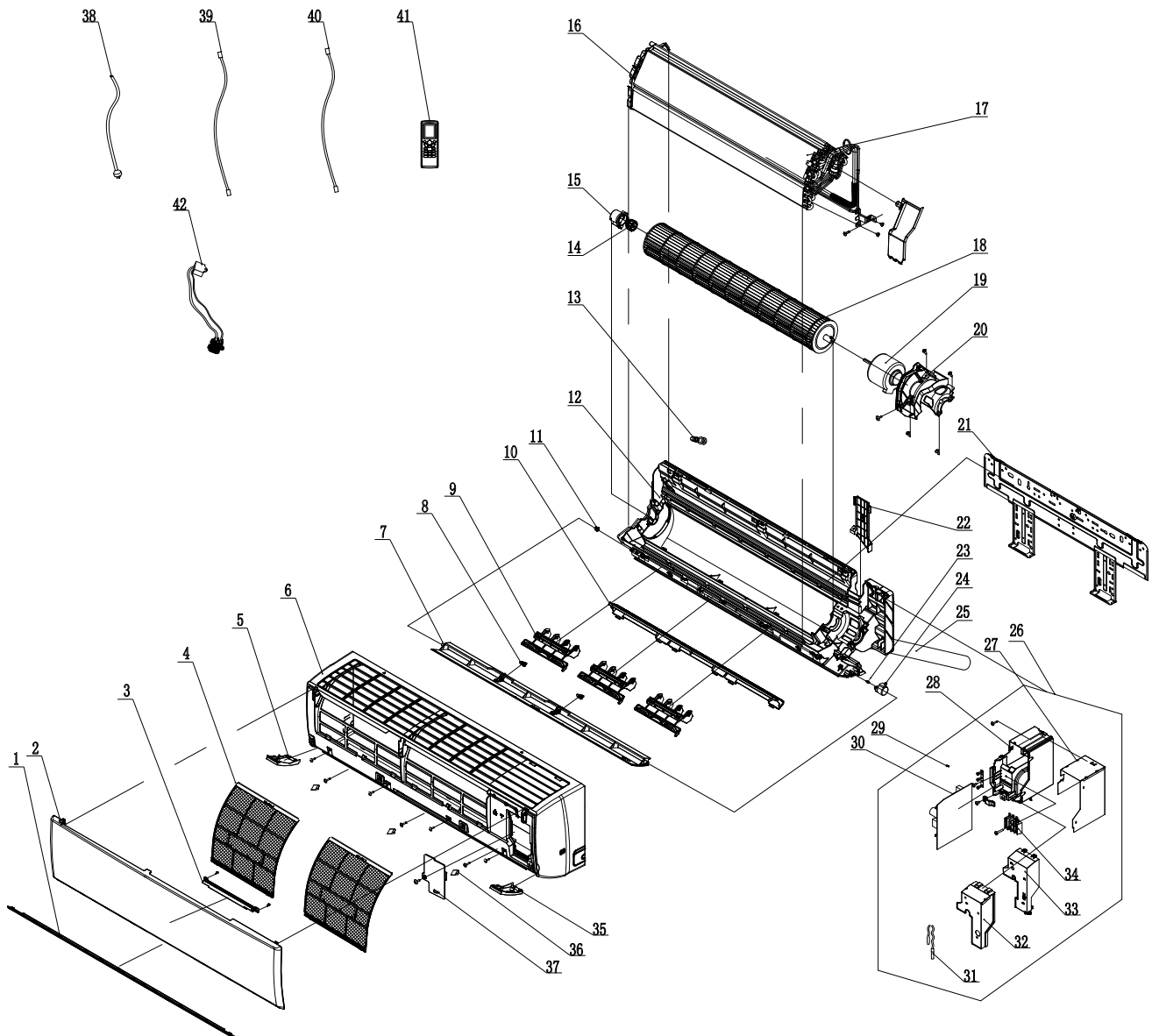
No.	Part Description	Part Code
1	Front Panel	20000300003801T
2	Display Board	300001000037
3	Front Case	0000200000902
4	Helicord Tongue	26112436
5	Left Axile Bush	10512037
6	Rear Case assy	000001000010
7	Drainage Hose	05230014
8	Ring of Bearing	26152022
9	O-Gasket sub-assy of Bearing	76512051
10	Evaporator support	24212179
11	Evaporator Assy	01100106016201P
12	Wall-mounted frame (horizontal)	01252020
13	Cross Flow Fan	10352056
14	Brushless DC Motor	15010406002902
15	Connecting pipe clamp	2611216401
16	Rubber Plug (Water Tray)	76712012
17	Stepping Motor	1521210712
18	Crank	73012005
19	Electric Box Assy	100002074089
20	Guide Louver	20000400000501
21	Axile Bush	10542036
22	Terminal Board	422000000022
23	Jumper	4202021907
24	Main Board	300002062676
25	Electric Box Cover2	200082060013
26	Shield Cover of Electric Box Cover	none
27	Electric Box Cover	200082060012
28	Power Cord	none
29	Connecting Cable	none
30	Connecting Cable	4002052318
31	Remote Controller	305001060060



GWH12AACXB-K6DNA1AO

Spare Parts List

No.	Part Description	Part Code
1	Coping	012049060124P
2	Supporting Board (Condenser)	none
3	4-Way Valve	072007060013
4	Sponge (Condenser)	12123091
5	Temperature Sensor Support	none
6	Condenser Assy	011002061954
7	Temp Sensor Sleeving	05212423
8	Sensor Insert	42020063
9	Right Side Plate	01205606038406P
10	Earthing Plate Sub-assy	017246000004
11	Wire Clamp	200015060018
12	Electronic Expansion Valve	07133821
13	Electric Expand Valve Fitting	07200206002301
14	Handle Assy	none
15	Silencer	035023000009
16	Cut-off valve 1/4(N)	070001060022
17	Strainer	07213043
18	Cut-off valve 3/8(N)	070001060029
19	Valve Support	012044060022P
20	4-Way Valve Assy	030152060751
21	Compressor and Fittings	009001060648
22	Chassis Sub-assy	017000060636P
23	Motor Support	01204806014901
24	Brushless DC Motor	150104060095
25	Axial Flow Fan	10333428
26	Front Panel Assy	00000306052602
27	Front Grill	200057060013
28	Drainage Joint	26113009
29	Left Side Plate	012055060397P
30	Clapboard	012051060895
31	Reactor	none
32	Electric Box Assy	100002074101
33	Electric Box	200013060073
34	Main Board	300027062166
35	Electric Box Cover	200082060058
36	Terminal Board	422000060075
37	Temperature Sensor	3900030811
38	Radiator	420034060108



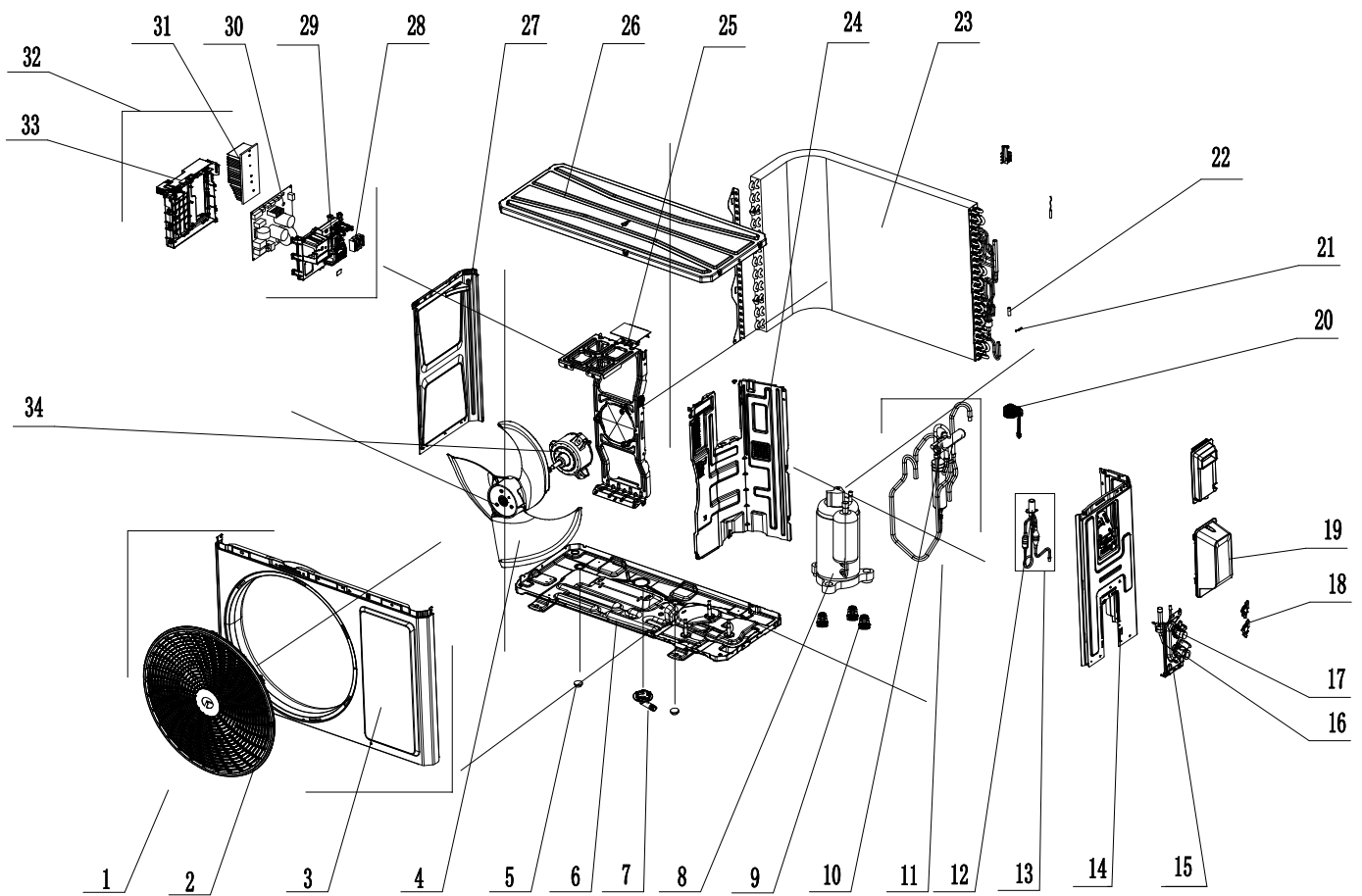
GWH18AADXE-K6DNA1AI

Spare Parts List

No.	Part Description	Part Code
1	Decorative Strip	none
2	Front Panel	20000300003101T
3	Display Board	300001000037
4	Filter Sub-Assy	1112208906
5	Decorative Board (Left and Right)	none
6	Front Case	20000200000804
7	Guide Louver	20000400000401
8	Axile Bush	10542036
9	Air Louver(Manual)	10512732
10	Helicoid Tongue	26112512
11	Left Axile Bush	10512037
12	Rear Case assy	000001000009
13	Rubber Plug (Water Tray)	76712012
14	O-Gasket sub-assy of Bearing	76512051
15	Ring of Bearing	26152025
16	Evaporator Support	24212177
17	Evaporator Assy	01100100020701P
18	Cross Flow Fan	10352060
19	Brushless DC Motor	150104060008801
20	Motor Press Plate	26112511
21	Wall Mounting Frame	01362026
22	Connecting pipe clamp	2611218801
23	Crank	73012005
24	Stepping Motor	1521240210
25	Draining Hose	05230014
26	Electric Box Assy	100002074307
27	Lower Shield of Electric Box	none
28	Electric Box	200012060001
29	Jumper	4202021917
30	Main Board	300002062471
31	Temperature Sensor	3900031302
32	Electric Box Cover Sub-Assy	none
33	Electric Box Cover	200082060002
34	Terminal Board	422000000022
35	Decorative Board (Right)	none
36	Screw Cover	242520179
37	Electric Box Cover2	200082060001
38	Power Cord	none
39	Connecting Cable	4002052318
40	Connecting Cable	none
41	Remote Controller	305001060060
42	Cold Plasma Generator	none

GWH18AADXE-K6DNA1AO

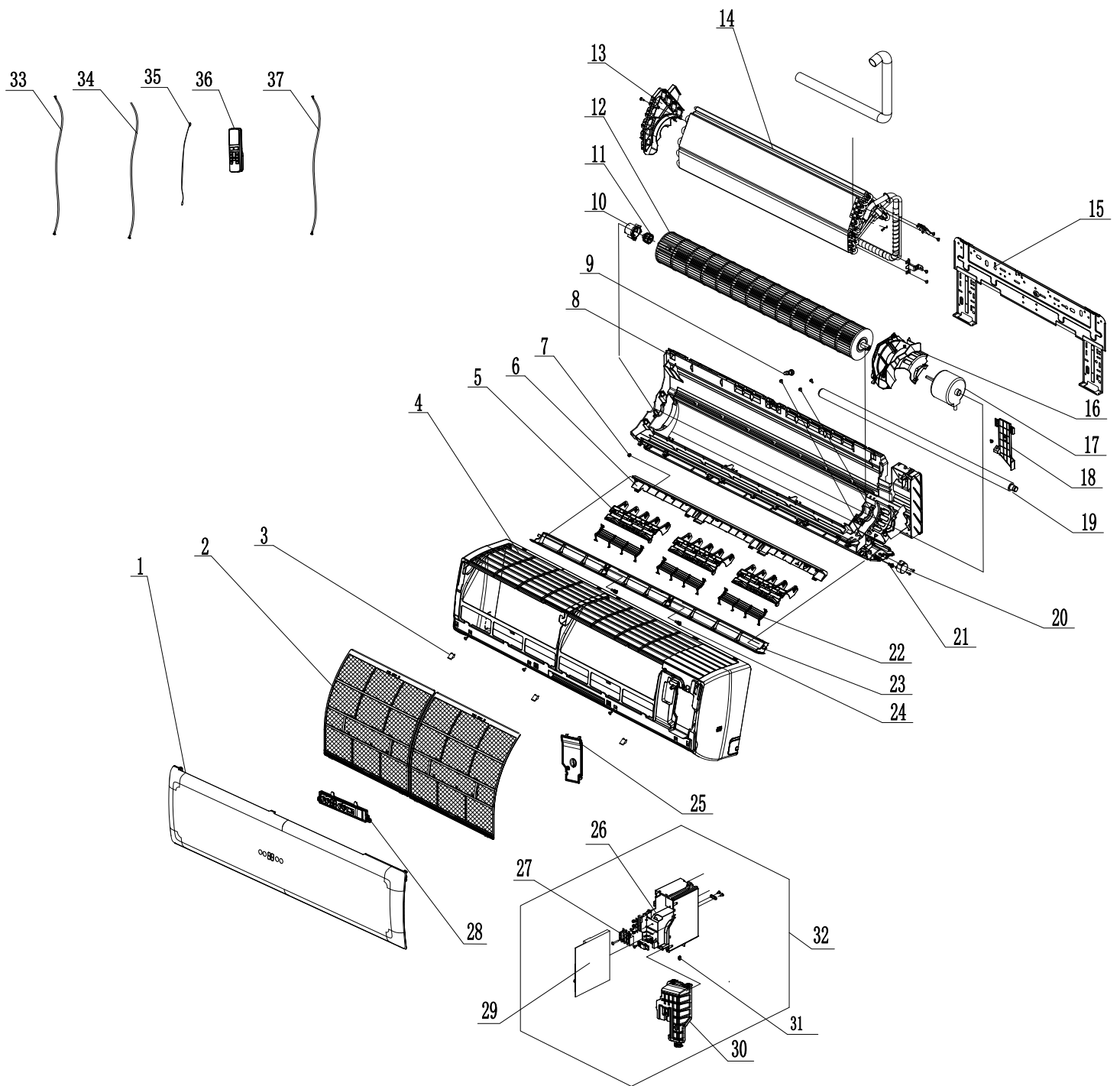
Exploded View



GWH18AADXE-K6DNA1AO

Spare Parts List

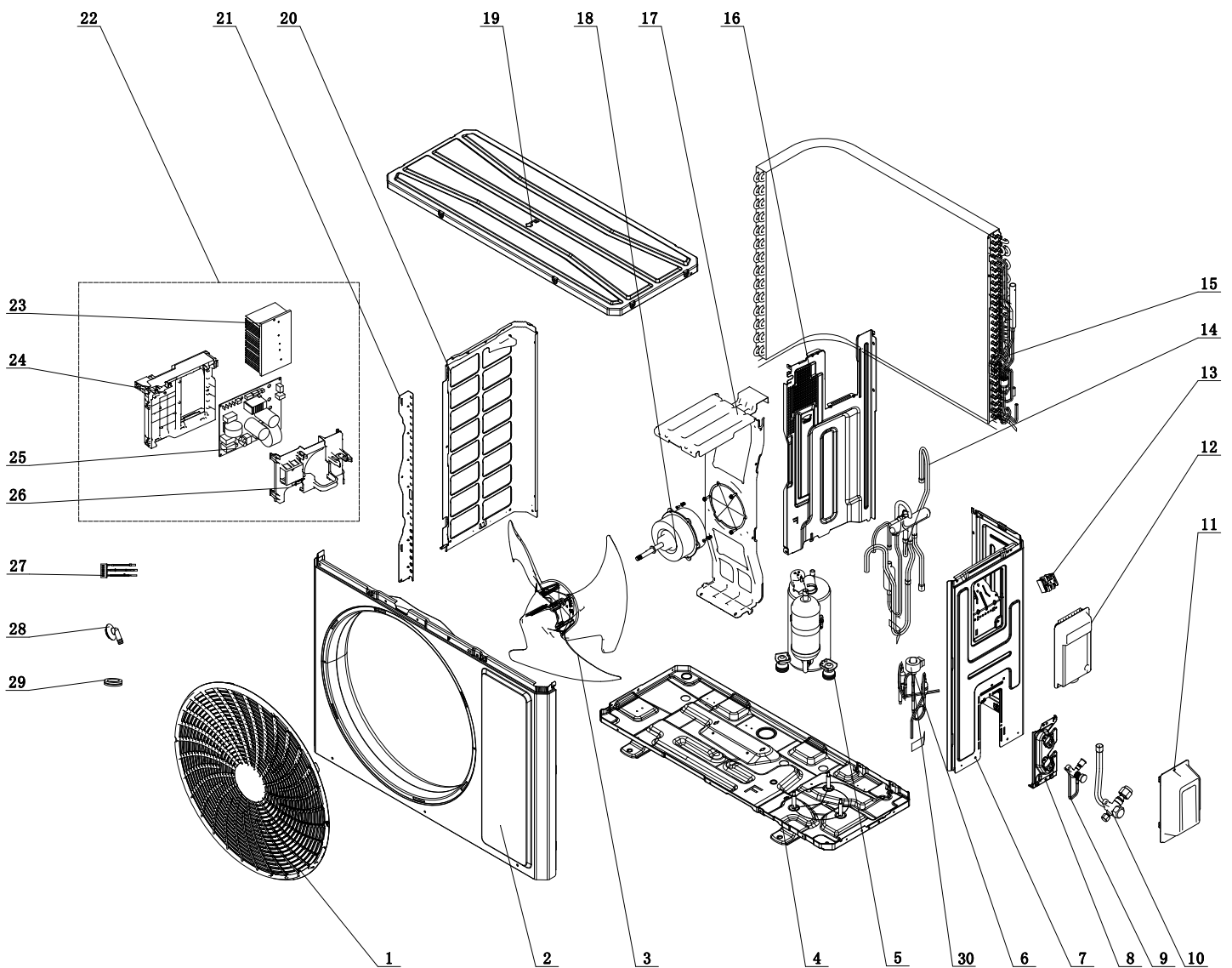
No.	Part Description	Part Code
1	Front Panel Assy	000003060525
2	Front Grill	200057060018
3	Cabinet	012022060011P
4	Axial Flow Fan	10333014
5	Drainage hole Cap	76711012
6	Chassis Sub-assy	017000060596P
7	Drainage Joint	26113009
8	Compressor and Fittings	009001060783
9	Compressor Gasket	009033060003
10	4-Way Valve	430004032
11	4-Way Valve Assy	030152060826
12	Capillary Tube	03015737
13	Capillary Sub-Assy	none
14	Right Side Plate	01205606036804P
15	Valve Support	012044060022P
16	Cut-off valve 1/2(N)	070001060024
17	Cut-off valve 1/4(N)	070001060022
18	Valve Support Block	26113017
19	Valve Cover	200087060005
20	Sensor Insert	42020063
21	Temp Sensor Sleeving	05212423
22	Condenser Assy	011002061994
23	Clapboard Assy	000075060125
24	Motor Support Sub-Assy	000046060104
25	Top Cover Assy	000097060315
26	Left Side Plate	012055060392P
27	Terminal Board	422000060075
28	Controller Cover	20006606003101
29	Main Board	300027062255
30	Radiator	430034060118
31	Electric Box Assy	100002074310
32	Electric Controller Box	20006506002401
33	Brushless DC Motor	150104060085
34	Temperature Sensor	3900030913
35	Handle (Right)	none
36	Magnet Coil	4300040072



GWH24AAEXF-K6DNA1BI

Spare Parts List

No.	Part Description	Part Code
1	Front Panel	20000300007001
2	Filter Sub-Assy	1101200703
3	Screw Cover	24252453
4	Front Case	20000200001506
5	Air Louver (Manual)	10512737
6	Helicoid Tongue	26112513
7	Left Axile Bush	10512037
8	Rear Case assy	000001000016
9	Rubber Plug (Water Tray)	76712012
10	Ring of Bearing	26152025
11	O-Gasket sub-assy of Bearing	76512051
12	Cross Flow Fan	10352057
13	Evaporator Support	24212178
14	Evaporator Assy	01100100007306P
15	Wall Mounting Frame	01252229
16	Motor Press Plate	26112515
17	Fan Motor	15012145
18	Connecting pipe clamp	26112514
19	Drainage Hose	0523001405
20	Stepping Motor	1521240210
21	Crank	73012005
22	Rear Grill Sub-assy	none
23	Guide Louver	20000400001301
24	Axile Bush	10542036
25	Electric Box Cover2	200082060001
26	Electric Box	200013060001
27	Terminal Board	422000000022
28	Display Board	300001000037
29	Main Board	300002062683
30	Electric Box Cover	200082060002
31	Jumper	4202021913
32	Electric Box Assy	100002074427
33	Connecting Cable	4002052318
34	Connecting Cable	none
35	Temperature Sensor	3900031302
36	Remote Controller	305001060060
37	Power Cord	none



GWH24AAEXF-K6DNA1BO

Spare Parts List

No.	Part Description	Part Code
1	Front Grill	200057060016
2	Front Panel	012073061611P
3	Axial Flow Fan	10335262
4	Chassis Sub-assy	017000060761P
5	Compressor and Fittings	009001060621
6	Electronic Expansion Valve	43005016
7	Right Side Plate	01205606037704P
8	Valve Support	012044060032P
9	Cut-off valve 1/4(N)	070001060022
10	Cut-off valve 5/8(N)	070001060032
11	Valve Cover	200087060005
12	Handle	012210060007P
13	Terminal Board	422000060075
14	4-Way Valve Assy	030152060853
15	Condenser Assy	011002061864
16	Clapboard Assy	000075060128
17	Motor Support	012048060145
18	Brushless DC Motor	1501506409
19	Coping	012049060117P
20	Left Side Plate	012055060393P
21	Condenser Left Border Plate	012009060219
22	Electric Box Assy	100002074436
23	Radiator	43003406011601
24	Electric Box	20001306008501
25	Main Board	300027062342
26	Electric Box Cover	20008206006801
27	Temperature Sensor	3900030912
28	Drainage Joint	26113009
29	Drainage hole Cap	06813401
30	Electric Expand Valve Fitting	07200206002309